

## Disconnecter FHF-B2

Disconnecter for 15 kV and 25 kV AC-overhead contact lines



The disconnecter FHF-B2 is used to switch or isolate overhead contact lines in railways with an AC voltage up to 25 kV.

In addition it is possible to switch small capacitive and inductive currents up to 6 A, which might occur at a load-free state.

The disconnecter FHF-B2 is of rocker type with one fixed and one movable insulator.

The flat terminals allow different connections.

The disconnecter is operated motorised or manually by rod or Flexball® (flexible rod). In addition two disconnecters can be transformed to one bipolar disconnecter.

Our disconnecters are manufactured according to EN 62271-1, EN 62271-102 and EN 50152-2.

Thanks to very long experience in the branch, our company has been awarded with accreditations by different national railways.

## Features and benefits

- Very compact design
- All steel parts made of stainless or hot-dip galvanised steel
- Robust and torsion-free frame
- Fixing on the supporting structure either by straps (free setting) or screws
- Easy on-site installation and setting
- High reliability ~ 10'000 cycles
- All conducting parts either silver, nickel or tin-plated
- Maintenance-free
- Options:
  - Status indication with voltage-free contacts (1x open, 1x closed); 2 limit switches and terminal box
  - Porcelain insulators instead of silicone insulators
  - Forced earthing to ensure electrical grounding as soon as the disconnecter is opened

## Technical data

Rated values		15kV	25kV	
Nominal voltage	$U_n$	15	25	kV
Rated insulation voltage (acc. to IEC 62497-1)	$U_{Nm}$	17.5	27.5	kV
Rated voltage (acc. to IEC 62271-1)	$U_r$	36	52	kV
Rated frequency	$f_r$	16.7	50	Hz
Rated normal current	$I_r$	2'000	2'000	A

Withstand values		15kV	25kV	
1-minute power frequency withstand voltage (dry & wet)		$U_d$		
A – To earth and between poles		70	95	kV
B – Across the isolating distance		95	110	kV
Impulse withstand voltage (1.2/50 $\mu$ s)		$U_{Ni}$		
A – To earth and between poles		170	250	kV
B – Across the isolating distance		195	290	kV

Short-Circuit current		15kV	25kV	
Rated short time withstand current	$I_k$	40	31.5	kA
Rated peak withstand current	$I_p$	100	80	kA
Rated duration of short circuit	$t_k$	1	3	s

Making and breaking current		15kV	25kV	
Breaking current at power factor 0.7	$I_{break}$	2	2	A
Making current at power factor 0.7	$I_{make}$	2	2	A
Breaking current at power factor 0.35	$I_{break2}$	6	6	A

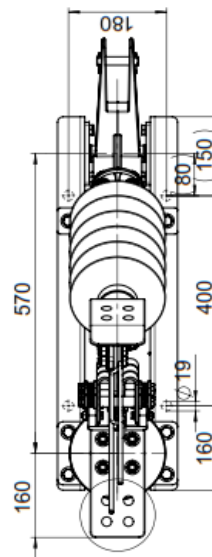
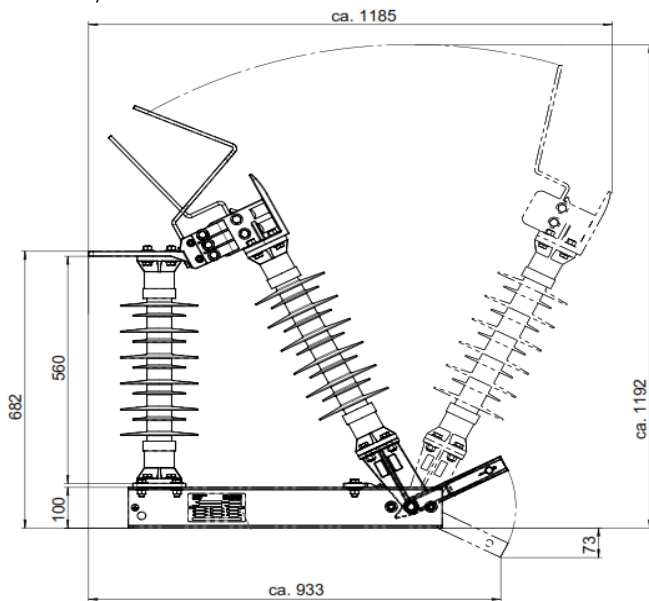
  

Geometry		15kV	25kV	
Minimum creepage distance (silicone insulators)		870	1255	mm
Operating stroke		120	180	mm
Weight		34	43	Kg
Further dimensions		See drawing		

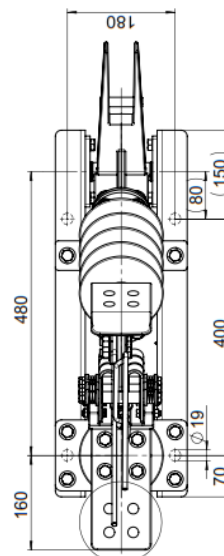
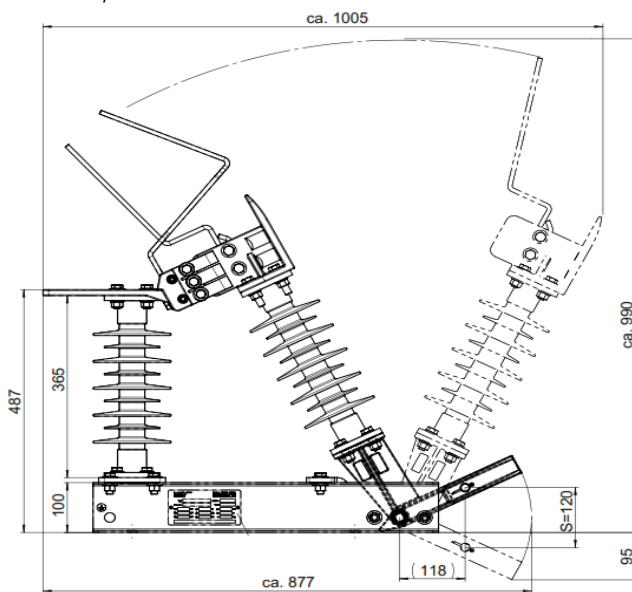
Lifetime		
Mechanical life	10'000	Cycles
Environmental conditions		
Operating temperature	-30 up to +40	°C
Relative humidity	100	%
Solar radiation	1'000	W/m <sup>2</sup>
Operating altitude	1'000	a.s.l.
Icing	10	mm
Pollution degree (acc. to IEC 62497-1)	PD4B	
Wind speed	34	m/s
Available options		FHF-B2
Forced earthing		✓
Status indication		✓
Bipolar switch		✓
Norms		
EN 50152-2	Railway applications - Fixed installations - Particular requirements for alternating current switchgear - Part 2: Disconnectors, earthing switches and switches with nominal voltage above 1 kV	
IEC 62505-2	Railway applications - Fixed installations - Particular requirements for a.c. switchgear - Part 2: Single-phase disconnectors, earthing switches and switches with Un above 1 kV	
IEC 62271-1	High-voltage switchgear and controlgear - Part 1: Common specifications	
IEC 62271-102	High-voltage switchgear and controlgear - Part 102: Alternating current disconnectors and earthing switches	
IEC 62497-1	Railway applications - Insulation coordination - Part 1: Basic requirements - Clearances and creepage distances for all electrical and electronic equipment	

## Dimensional drawings

FHF-B2-25/S



FHF-B2-15/S



## Ordering information

Basic types	Description	Article-No.
FHF-B2-25/S	Disconnector 25 kV with silicone insulators	22259
FHF-B2-15/S	Disconnector 15 kV with silicone insulators	22057

### Options:

- I = Status indication with voltage-free contacts (1x open, 1x closed); 2 limit switches and terminal box
- P = Porcelain insulators instead of silicone insulators
- E = Forced earthing to ensure electrical grounding as soon as the disconnector is opened

The information given in this document is subject to change without notice

**Rauscher & Stoecklin AG**  
Reuslistrasse 32, CH-4450 Sissach  
T +41 61 976 34 66, F +41 61 976 34 22  
info@raustoc.ch, www.raustoc.ch